

GENERAL TECHNICAL CHARACTERISTICS

Reference standards : IEC 61071-60068
 Dielectric : Polypropylene film
 Construction : Dry construction, filled by solid resin,
 Non-inductive type
 Case : Aluminium case



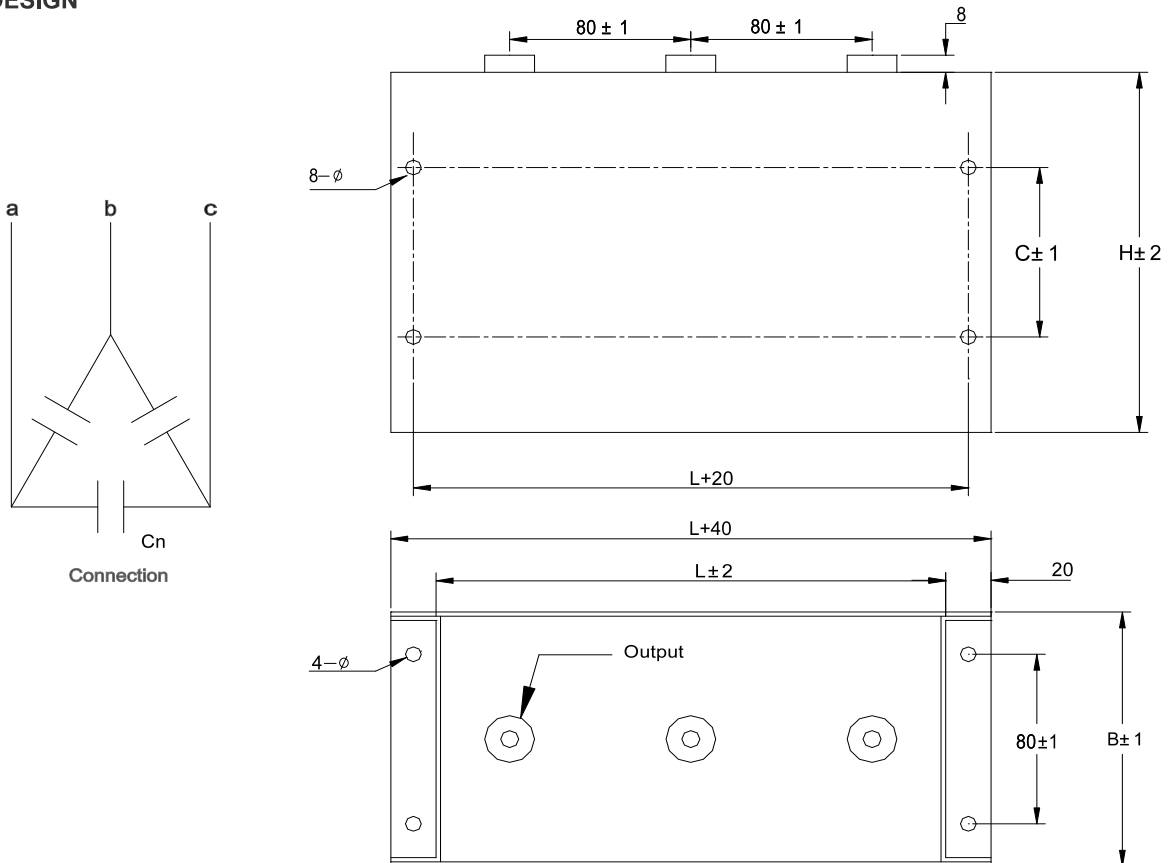
ELECTRICAL CHARACTERISTICS

Operating temperature range(case) : - 40 to + 85 °C
 Capacitance : 3 x 20 to 3 x 500µF
 Rated Voltage : 400 to 1000 Vac
 Tolerance : ± 5% , ± 10%
 Dissipation factor: $\leq 2.0 \times 10^{-3}$ Measured at 1000 Hz and 25 °C
 Ls: < 100nH
 Life expectancy : 30,000 hours at Un and 70 °C

TEST METHODS AND PERFORMANCES

Test voltage between terminals : 1.5xUn for 10s at 25 °C
 Test voltage terminal to case : 3 KV 50Hz for 2sec
 Insulation resistance (C*Ri) : ≥ 5000 s

DESIGN



Case code :demension in mm

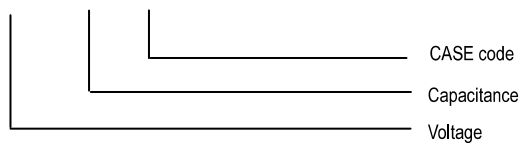
| Case code | L | B | H | C | φ | Output | Torque |
|-----------|-----|-----|-----|-----|---|---------|-------------|
| A4 | 225 | 120 | 170 | 80 | 7 | M8 x10 | 8.5 N.M Max |
| A5 | 225 | 120 | 235 | 100 | 7 | M8 x10 | 8.5 N.M Max |
| A6 | 295 | 120 | 235 | 100 | 9 | M10 x10 | 12 N.M Max |
| A7 | 365 | 120 | 235 | 120 | 9 | M10 x10 | 12 N.M Max |

Electrical specifications, ordering codes

| Part Number | Cap (μF) | ESR (mΩ) | I _{rms} (A) | Case code | R _{th} (°C/W) | Weight (Kg) |
|-------------------|----------|----------|----------------------|-----------|------------------------|-------------|
| Un 400Vac | | | | | | |
| SMF-400-3×200 | 3×200 | 3×0.95 | 3×70 | A4 | 1.11 | 6.2 |
| SMF-400-3×300 | 3×300 | 3×0.88 | 3×90 | A5 | 0.86 | 8.7 |
| SMF-400-3×400 | 3×400 | 3×0.83 | 3×120 | A6 | 0.71 | 11.2 |
| SMF-400-3×500 | 3×500 | 3×0.80 | 3×160 | A7 | 0.60 | 14.5 |
| Un 500Vac | | | | | | |
| SMF-500-3×120 | 3×120 | 3×1.01 | 3×50 | A4 | 1.11 | 6.2 |
| SMF-500-3×180 | 3×180 | 3×0.92 | 3×70 | A5 | 0.86 | 8.7 |
| SMF-500-3×240 | 3×240 | 3×0.86 | 3×100 | A6 | 0.71 | 11.2 |
| SMF-500-3×300 | 3×300 | 3×0.83 | 3×120 | A7 | 0.60 | 14.5 |
| Un 550Vac | | | | | | |
| SMF-550-3×90 | 3×90 | 3×1.86 | 3×30 | A4 | 1.11 | 6.2 |
| SMF-550-3×135 | 3×135 | 3×1.49 | 3×60 | A5 | 0.86 | 8.7 |
| SMF-550-3×180 | 3×185 | 3×1.28 | 3×80 | A6 | 0.71 | 11.2 |
| SMF-550-3×225 | 3×225 | 3×1.19 | 3×100 | A7 | 0.60 | 14.5 |
| Un 690Vac | | | | | | |
| SMF-690-3×50 | 3×50 | 3×2.03 | 3×40 | A4 | 1.11 | 6.2 |
| SMF-690-3×75 | 3×75 | 3×1.64 | 3×60 | A5 | 0.86 | 8.7 |
| SMF-690-3×100 | 3×100 | 3×1.39 | 3×80 | A6 | 0.71 | 11.2 |
| SMF-690-3×125 | 3×125 | 3×1.28 | 3×100 | A7 | 0.60 | 14.5 |
| Un 850Vac | | | | | | |
| SMF-850-3×30 | 3×30 | 3×2.36 | 3×30 | A4 | 1.11 | 6.2 |
| SMF-850-3×45 | 3×45 | 3×1.85 | 3×50 | A5 | 0.86 | 8.7 |
| SMF-850-3×65 | 3×65 | 3×1.50 | 3×70 | A6 | 0.71 | 11.2 |
| SMF-850-3×80 | 3×80 | 3×1.38 | 3×80 | A7 | 0.60 | 14.5 |
| Un 1000Vac | | | | | | |
| SMF-1000-3×20 | 3×20 | 3×2.68 | 3×20 | A4 | 1.11 | 6.2 |
| SMF-1000-3×30 | 3×30 | 3×2.07 | 3×40 | A5 | 0.86 | 8.7 |
| SMF-1000-3×45 | 3×45 | 3×1.63 | 3×50 | A6 | 0.71 | 11.2 |
| SMF-1000-3×55 | 3×55 | 3×1.43 | 3×70 | A7 | 0.60 | 14.5 |

How to Order:

SMF - 690 - 3×125 - A7



Different values ,Custom design available upon request