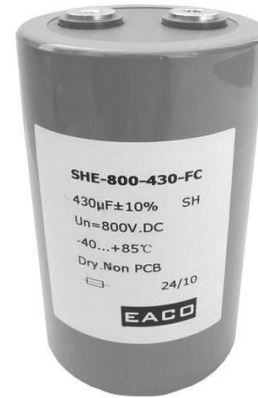


GENERAL TECHNICAL CHARACTERISTICS

Reference standards : IEC 61071-60068
 Dielectric : Segmented MKP film
 Construction : Dry construction, filled by solid resin
 Non-inductive type
 Case : Aluminium case

ELECTRICAL CHARACTERISTICS

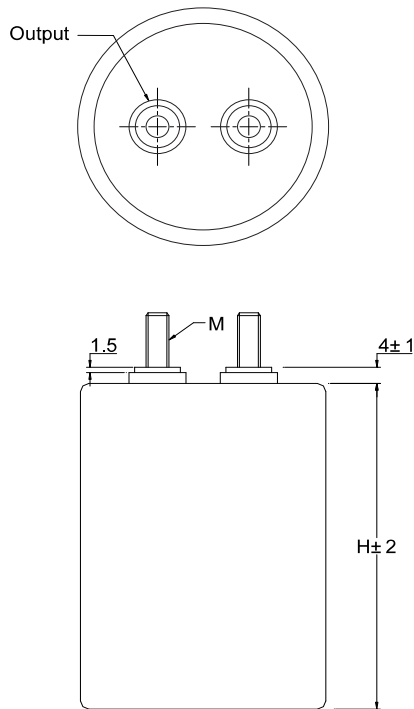
Operating temperature range(case) : - 40 to + 85 °C
 Capacitance : 50 to 1000µF
 Rated Voltage : 800 to 3200 Vdc
 Tolerance : ± 5% ± 10%
 Dissipation factor : $\leq 1.0 \times 10^{-3}$ Measured at 100 Hz and 25°C
 Life expectancy : 100,000 hours at Un and 70°C



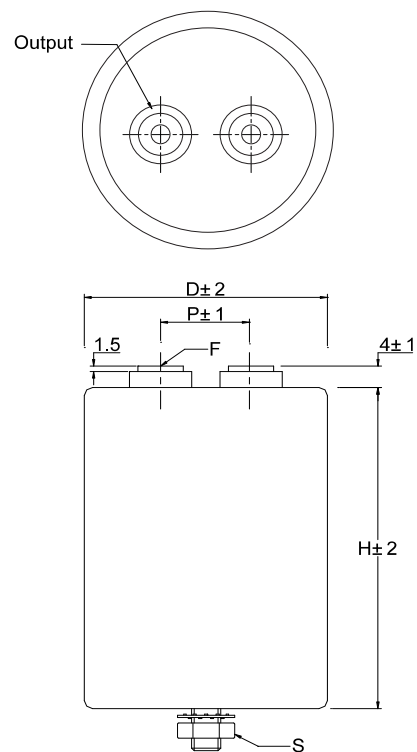
TEST METHODS AND PERFORMANCES

Test voltage between terminals : $1.5 \times U_n$ for 10s at 25 °C
 Test voltage terminal to case : $(1.5 \times U_n + 1000) \text{Vac}$,
 Min 3000Vac 60 sec
 Insulation resistance (C*Ri) : $\geq 5000 \text{ s}$

DESIGN



Clamp mounting



Stud mounting

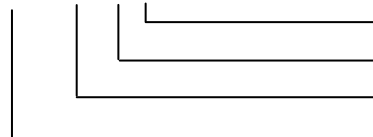
Case	Out put					Stud mounting	
	M	Torque	F	Torque	P	S	Torque
D=55			M5×8	2.5 N.M Max	22.0	M10×12	6.0 N.M Max
D=60,65			M5×8	2.5 N.M Max	28.6	M12×16	8.0 N.M Max
D=76,86	M8×20	8.5 N.M Max	M6×8	4.5 N.M Max	32.0		

Electrical specifications, ordering codes

Part Number	Capacitance (µF)	Diameter (mm)	Height (mm)	P (mm)	Irms max. (A)	ESR (mΩ)	RTH (k/W)	Weight (kg)
Un dc 800V								
SHE-800-430	430	76	120	32	40	4.3	3.9	0.65
SHE-800-550	550	86	120	32	46	3.7	3.5	0.85
SHE-800-800	800	76	225	32	67	2.9	2.0	1.25
SHE-800-1000	1000	86	225	32	76	2.6	1.8	1.50
Un dc 1000V								
SHE-1000-275	275	76	120	32	37	5.0	3.9	0.65
SHE-1000-350	350	86	120	32	43	4.2	3.5	0.85
SHE-1000-500	500	76	225	32	63	3.3	2.0	1.25
SHE-1000-680	680	86	225	32	73	2.8	1.8	1.50
Un dc 1200V								
SHE-1200-200	200	76	120	32	35	5.5	3.9	0.65
SHE-1200-250	250	86	120	32	41	4.7	3.5	0.85
SHE-1200-370	370	76	225	32	61	3.6	2.0	1.25
SHE-1200-470	470	86	225	32	69	3.1	1.8	1.50
Un dc 1400V								
SHE-1400-140	140	76	120	32	33	6.5	3.9	0.65
SHE-1400-180	180	86	120	32	38	5.3	3.5	0.85
SHE-1400-270	270	76	225	32	58	4.0	2.0	1.25
SHE-1400-350	350	86	225	32	66	3.4	1.8	1.50
Un dc 1600V								
SHE-1600-100	100	76	120	32	30	7.7	3.9	0.65
SHE-1600-140	140	86	120	32	36	5.9	3.5	0.85
SHE-1600-200	200	76	225	32	54	4.5	2.0	1.25
SHE-1600-270	270	86	225	32	64	3.7	1.8	1.50
Un dc 1800V								
SHE-1800-80	80	76	120	32	29	8.4	3.9	0.65
SHE-1800-110	110	86	120	32	35	6.4	3.5	0.85
SHE-1800-160	160	76	225	32	52	4.8	2.0	1.25
SHE-1800-200	200	86	225	32	60	4.1	1.8	1.50
Un dc 2000V								
SHE-2000-130	130	76	225	32	36	10.4	2.0	1.25
SHE-2000-170	170	86	225	32	42	8.6	1.8	1.50
Un dc 2400V								
SHE-2400-90	90	76	225	32	33	12.0	2.0	1.25
SHE-2400-120	120	86	225	32	39	9.7	1.8	1.50
Un dc 2800V								
SHE-2800-65	65	76	225	32	31	13.8	2.0	1.25
SHE-2800-85	85	86	225	32	37	11.2	1.8	1.50
Un dc 3200V								
SHE-3200-50	50	76	225	32	29	15.3	2.0	1.25
SHE-3200-65	65	86	225	32	35	12.4	1.8	1.50

How to Order:

SHE - 1200 - 470 - * #



C for clamp, S for stud mounting

F for therad, M for lead screw

Capacitance

Voltage