

GENERAL TECHNICAL CHARACTERISTICS

Reference standards : IEC 61071-60068
 Dielectric : Polypropylene film
 Construction : Dry construction, filled by solid resin,
 Non-inductive type
 Case : Self extinguishing plastic case UL94V0



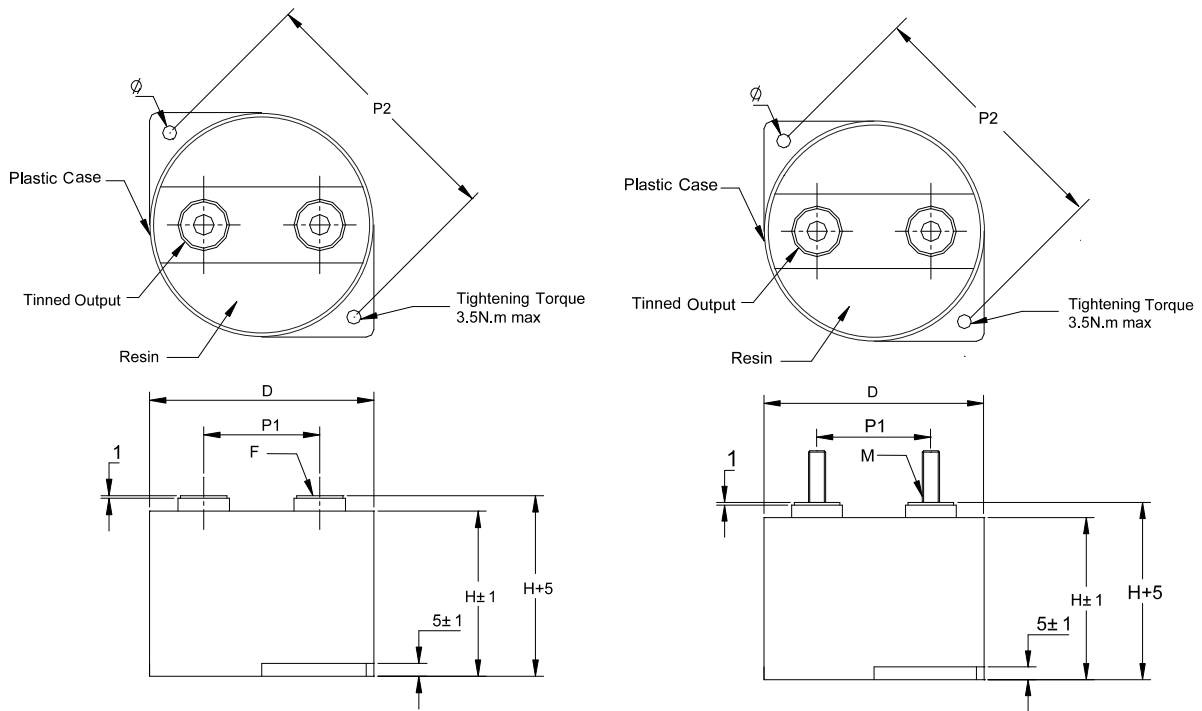
ELECTRICAL CHARACTERISTICS

Operating temperature range(case) : - 40 to + 85 °C
 Capacitance : 6.8 to 500µF
 Rated Voltage : 500 to 2200 Vdc
 Tolerance : ± 5 %± 10 %
 Dissipation factor : $\leq 2.0 \times 10^{-3}$ Measured at 1000 Hz and 25°C
 Life expectancy : 100,000hours at Un and 70°C

TEST METHODS AND PERFORMANCES

Test voltage between terminals : Style SHF-L 1.5xUn for 10s at 25 °C
 Style SHF-H 1.6xUn for 10s at 25 °C
 Test voltage terminal to case : $(1.5 \times Un + 1000)$ Vac, Min 3000Vac 2sec
 Insulation resistance (C**Ri*) : ≥ 5000 s

DESIGN



Case code	D (mm)	Out put				P1 (mm)	P2 (mm)	φ (mm)
		F	Torque	M	Torque			
A	87	M6*8	4.5 N.M Max	M8*20	8.5 N.M Max	45±1	101	5.5
B	115	M8*8	6.0 N.M Max	M10*20	12 N.M Max	60±1	133	6.5

PROTECTION AGAINST OVERVOLTAGES

$1.1 \times U_n$	30% of the service period
$1.15 \times U_n$	30 min/d
$1.2 \times U_n$	5 min/d
$1.3 \times U_n$	1 min/d
$1.5 \times U_n$	100 ms no more than 1000 times

Electrical specifications, ordering codes: SHF-L

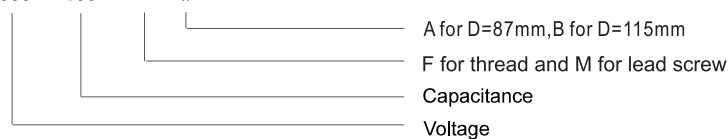
Part Number	Capacitance (μF)	Diameter (mm)	Height (mm)	Ls max. (nH)	du/dt (v/ μs)	Irms max.	ESR (m Ω)	Rth (k/W)
U_n dc 500V								
SHF-500-125	125	87	41	25	37	90	0.7	6.8
SHF-500-200	200	87	51	32	25	90	0.8	5.9
SHF-500-275	275	87	65	40	16	85	0.9	5.0
SHF-500-350	350	115	51	32	25	120	0.6	4.1
SHF-500-500	500	115	65	40	26	125	0.7	3.5
U_n dc 700V								
SHF-700-100	100	87	41	25	48	90	0.6	6.8
SHF-700-150	150	87	51	32	32	90	0.7	5.9
SHF-700-220	220	87	65	40	21	85	0.9	5.0
SHF-700-250	250	115	51	32	32	115	0.6	4.1
SHF-700-350	350	115	65	40	21	120	0.7	3.5
U_n dc 900V								
SHF-900-68	68	87	41	25	56	80	0.8	6.8
SHF-900-100	100	87	51	32	37	80	0.9	5.9
SHF-900-140	140	87	65	40	25	75	1.2	5.0
SHF-900-200	200	115	51	32	37	110	0.6	4.1
SHF-900-300	300	115	65	40	25	115	0.7	3.5
U_n dc 1100V								
SHF-1100-47	47	87	41	25	73	75	0.9	6.8
SHF-1100-68	68	87	51	32	49	75	1.1	5.9
SHF-1100-100	100	87	65	40	33	70	1.4	5.0
SHF-1100-125	125	115	51	32	49	105	0.7	4.1
SHF-1100-180	180	115	65	40	33	110	0.9	3.5

Electrical specifications, ordering codes :SHF-H

Part Number	Capacitance (µF)	Diameter (mm)	Height (mm)	Ls max. (nH)	du/dt (v/µs)	Irms max.	ESR (mΩ)	Rth (kW)
Un dc 600V								
SHF-600-100	100	87	41	25	40	80	0.8	6.8
SHF-600-150	150	87	51	32	27	80	0.9	5.9
SHF-600-220	220	87	65	40	18	75	1.1	5.0
SHF-600-300	300	115	51	32	27	110	0.6	4.1
SHF-600-470	470	115	65	40	18	120	0.7	3.5
Un dc 800V								
SHF-800-68	68	87	41	25	56	75	0.9	6.8
SHF-800-100	100	87	51	32	37	75	1.0	5.9
SHF-800-140	140	87	65	40	25	70	1.3	5.0
SHF-800-200	200	115	51	32	37	110	0.7	4.1
SHF-800-300	300	115	65	40	25	120	0.8	3.5
Un dc 1000V								
SHF-1000-47	47	87	41	25	73	70	1.0	6.8
SHF-1000-68	68	87	51	32	49	70	1.2	5.9
SHF-1000-100	100	87	65	40	33	65	1.5	5.0
SHF-1000-140	140	115	51	32	49	105	0.8	4.1
SHF-1000-200	200	115	65	40	33	110	0.9	3.5
Un dc 1200V								
SHF-1200-25	25	87	41	25	90	60	1.2	6.8
SHF-1200-35	35	87	51	32	70	60	1.5	5.9
SHF-1200-50	50	87	65	40	50	55	2.0	5.0
SHF-1200-60	60	115	51	32	70	100	1.0	4.1
SHF-1200-80	80	115	65	40	50	110	1.3	3.5
Un dc 1500V								
SHF-1500-18	18	87	41	25	113	55	1.2	6.8
SHF-1500-25	25	87	51	32	85	55	1.7	5.9
SHF-1500-35	35	87	65	40	60	50	2.2	5.0
SHF-1500-47	47	115	51	32	85	100	1.1	4.1
SHF-1500-68	68	115	65	40	60	105	1.3	3.5
Un dc 1800V								
SHF-1800-10	10	87	41	25	175	50	1.5	6.8
SHF-1800-15	15	87	51	32	120	50	2.0	5.9
SHF-1800-22	22	87	65	40	80	45	2.5	5.0
SHF-1800-25	25	115	51	32	120	90	1.4	4.1
SHF-1800-35	35	115	65	40	80	100	1.8	3.5
Un dc 2200V								
SHF-2200-6.8	6.8	87	41	25	200	50	1.7	6.8
SHF-2200-10	10	87	51	32	150	50	2.3	5.9
SHF-2200-15	15	87	65	40	100	45	2.9	5.0
SHF-2200-18	18	115	51	32	150	90	1.5	4.1
SHF-2200-25	25	115	65	40	100	100	2.0	3.5

How to Order:

SHF- 600 - 100 - * #



Different values ,Custom design available upon request